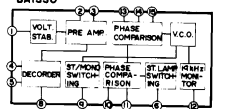
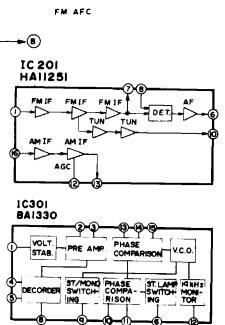
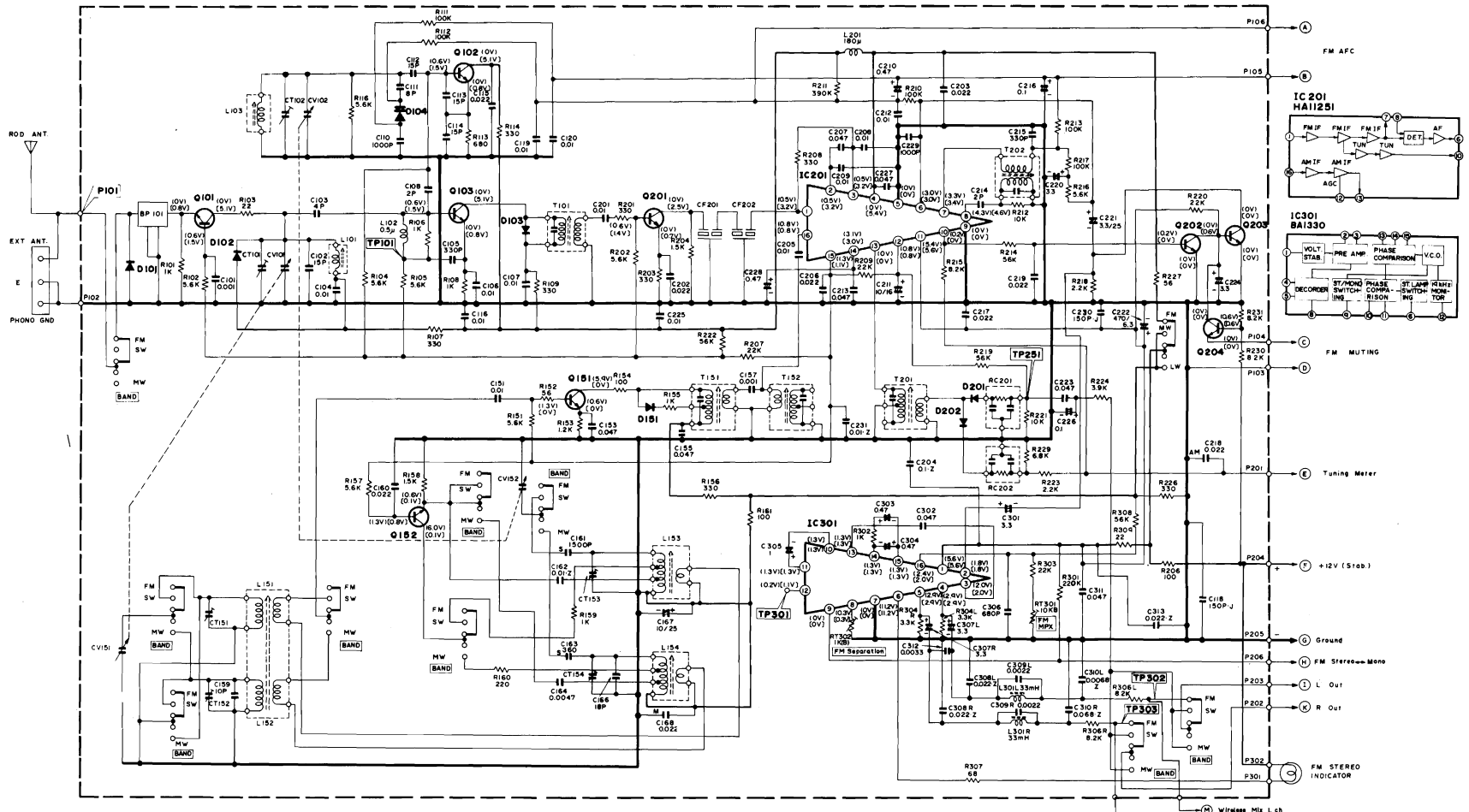


**D101** IS2473 PROTECTOR  
**Q101** 25C1674 FM RF AMP  
**D102** IS2473 FM LIMITER  
**D104** IS2790 FM AFC  
**Q102** 25C1675 FM LOCAL OSC.  
**Q103** 25C1675 FM CONV.  
**D103** IS2473 FM LIMITER  
**Q201** 25C1675 FM IF AMP.  
**IC201** HA-11251 FM/AM IF AMP./FM DET.  
**Q202-Q204** 25C1740 FM MUTE SWITCHING



**Q152** 25C1674 AM LOCAL OSC.  
**Q151** 25C1675 AM CONV.  
**D151** IK60 AGC  
**IC301** BA1330 FM MPX  
**D202** IK60 RECT. FOR METER  
**D201** IK60 AM DET.

\* The values in ( ) are voltage during FM broadcast and those in ( ) are voltage during AM broadcast reception.

# SCHEMATIC DIAGRAM (Tape Recorder/AF/Power Section)

